

Arpool Coral

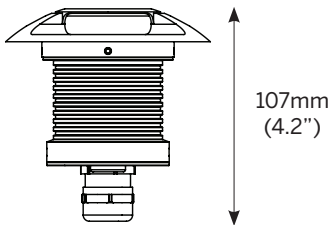
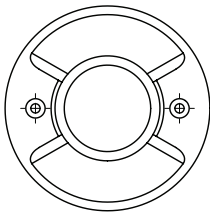
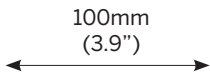
Specification Sheet



Application

- Seaside alkways, bridges, coastal areas
- Water features
- Wall and stairs installation
- Installation depth up to 5m (16')
- Max tile thickness 25mm (1")
- Chlorine and saline environment
- Recommended installation depth 0.3m-0.6m (1'-2')
- DMX, DALI, 0-10V compatible

Trim (TM)



Ordering Information

Model	Installation	Power	Color Temp.	Light Effect	Voltage	Options
AC	TM	L	27 30 40 RGBW AM	S30 S60 S120 D30 D60 D120	12 24	C* C6 C9



Luminaire

- UL STD 676, submersible IP68, CSA C22.2#89
- Operation allowed outside water
- Thermal fold back technology
- Remote power supply
- Stainless steel construction 316L marine grade
- Lifetime TM-21 @85C L80(12K)=72600h
- Working temperature from -25°C (-13° F) to 50°C (122° F)
- Supplied with oil and water resistant 3m (10') feed cable standard
- Cable conduit 1.5m (5')*only underwater
- IK10

Dimensions

- TM = 100mm x 107mm (3.9"ø x 4.2")

Power

- L - 9W 2700/3000/4000K/AM, 90 lm
- L - 9W RGBW

(delivered lumen output)

Color Temperature

- 27 - 3000K
- 30 - 3000K
- 40 - 4000K
- RGBW (W 4000K)
- AM - AMBER 589nm *turtle friendly area
- 2 Step MacAdam
- CRI: > 85

Light Effect - aperture

- S30, 60, 120 - Single Side 30°, 60°, 120°
- D30, 60, 120 - Double Side 30°, 60°, 120°

Voltage

- 12 - 12Vdc fixture voltage
- 24 - 24Vdc fixture voltage

Options

- C - standard feed cable 3m (10')
- C6 - luminaire supplied with 6m (20') feed cable
- C9 - luminaire supplied with 9m (30') feed cable

Installation housing order codes

- AM382 - (TM)*underwater installation
- AM382S- (TM) *underwater installation
- AC384 - *exterior installation

Power Supply

Power supply On/Off - 12V

- 101052 - OT30 12V P - IP67
- 101053 - OT60 12V P - IP67
- 100879 - OT120 12V P - IP67

Power supply with integrated controls - 12V

- 102345 - ELDOLED Linear Drive 100S (DXM,DALI+PS)

Controls - 12V

- 102788 - OT DMX RGBW DIM 12/24V - 89W
- 101047 - OTI DALI DIM 60W 1CH
- 101046 - OT DIM 60W (1-10V)

Power supply On/Off - 24V

- 103233 - OT60 24V P - IP67
- 103196 - OT130 24V P - IP67
- 103234 - OT250 24V P - IP67

Power supply with integrated controls - 24V

- 102345 - ELDOLED Linear Drive 100S (DXM,DALI+PS)

Controls - 24V

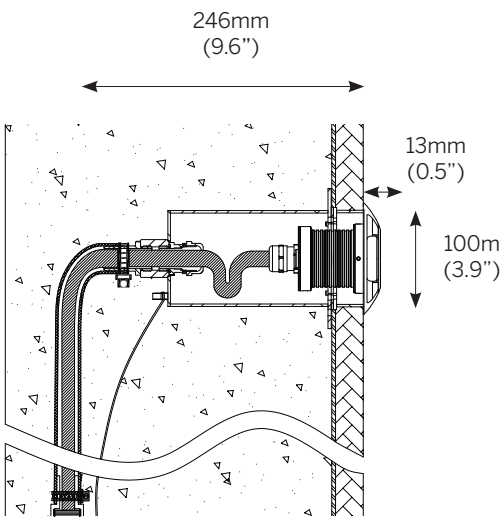
- 102788 - OT DMX RGBW DIM 12/24V - 183W
- 101047 - OTI DALI DIM 120W 1CH
- 101046 - OT DIM 60W (1-10V)

International: +385 52 255 324 filixlighting.com
 Europe/GmbH: info@filixlighting.com
 Europe MENA: info@filixlighting.com
 North America: filixlighting.com info@filixlighting.com

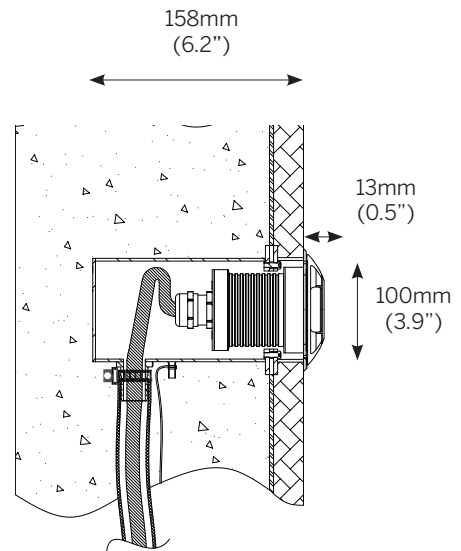
Click [here](#) for voltage drop and distances.

Installation Details

**Installation housing - AM382 *fits 1m (3.3') cable
Trim (TM) - pool only**



**Installation housing - AM382S *fits 1m (3.3') cable
Trim (TM) - pool only
Side Feed**



Installation Details

**Installation housing - AC384
* inground exterior installation**

